
2 Parts and diagrams

- [For additional service and support](#)
- [Assembly locations](#)
- [Order parts, accessories, and supplies](#)
- [How to use the parts lists and diagrams](#)
- [Parts and diagrams: Document feeder and scanner whole units](#)
- [Parts and diagrams: Covers](#)
- [Parts and diagrams: Internal components](#)
- [Parts and diagrams: 550-sheet paper feeder](#)
- [Alphabetical parts list](#)
- [Numerical parts list](#)

For additional service and support

HP service personnel, go to the Service Access Work Bench (SAW) at <http://h41302.www4.hp.com/km/saw/home.do>.

Channel partners, go to HP Channel Services Network (CSN) at <https://h30125.www3.hp.com/hpcsn>.

At these locations, find information on the following topics:

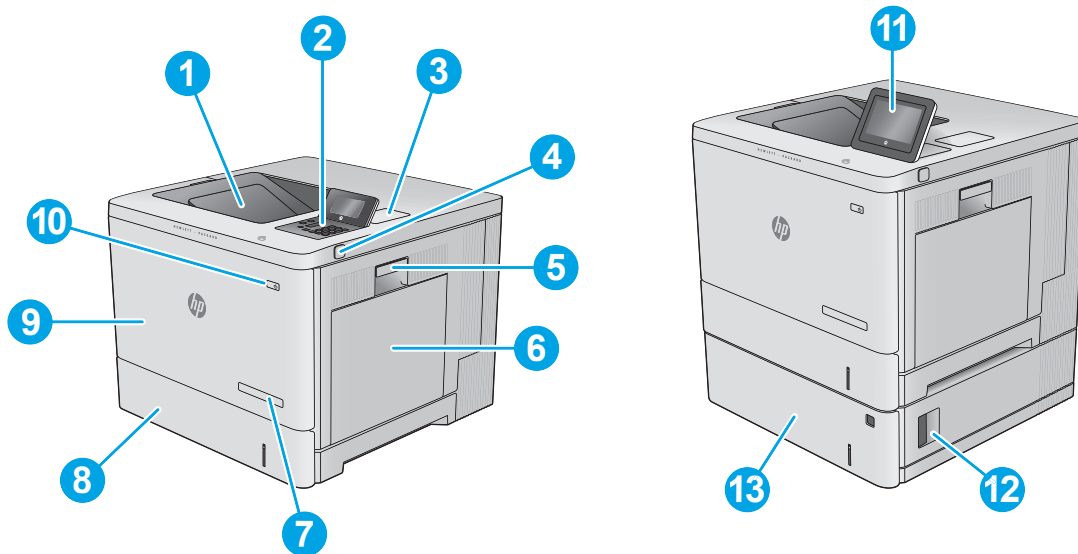
- Install and configure
- Printer specifications
- Up-to-date control panel message (CPMD) troubleshooting
- Solutions for printer issues and emerging issues
- Remove and replace part instructions and videos
- Service advisories
- Warranty and regulatory information

To access HP PartSurfer information from any mobile device, go to <http://partsurfermobile.hp.com/> or scan the Quick Response (QR) code below.



Assembly locations

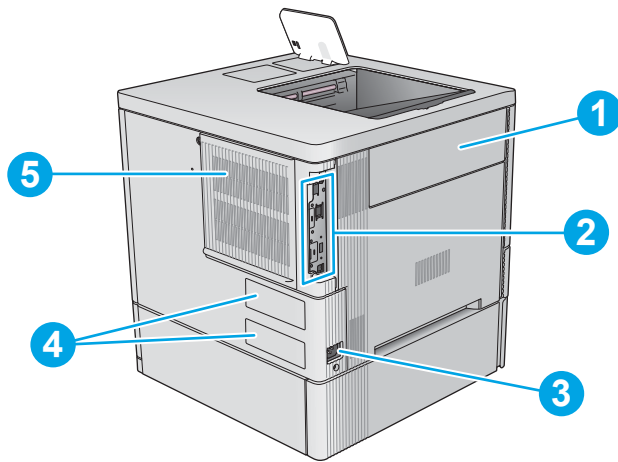
Product front view (M552 and M553 models)



1	Standard output bin
2	4-line LCD control panel with keypad (n and dn models only)
3	Hardware integration pocket for connecting accessory and third-party devices (dn and x models only)
4	Easy-access USB port
5	Right door (access to the fuser and for clearing jams)
6	Tray 1
7	Model name
8	Tray 2
9	Front door (access to the toner cartridges)
10	On/off button
11	Control panel with color touchscreen display (x model only)
12	Lower-right door for the 550-sheet paper feeder (access for clearing jams)
13	550-sheet paper feeder, Tray 3 (included with the x model, optional for the other models)

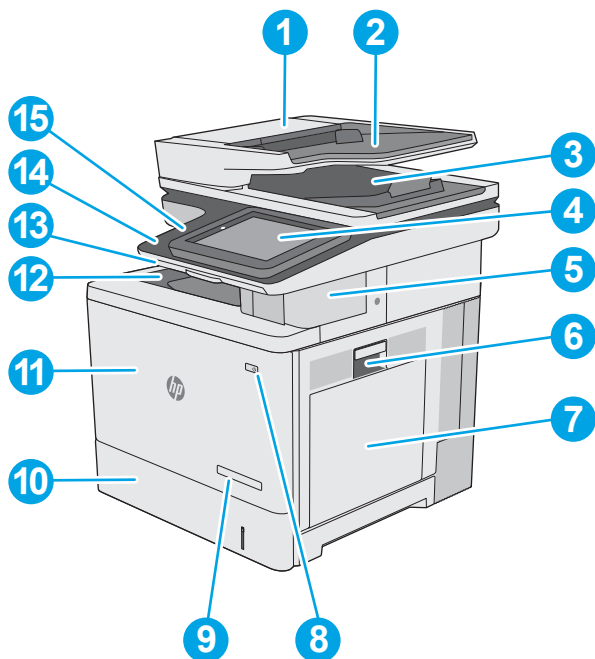
NOTE: The M552 model accepts one 550-sheet paper feeder. The M553 models accept up to three 550-sheet paper feeders.

Product back view (M552 and M553 models)



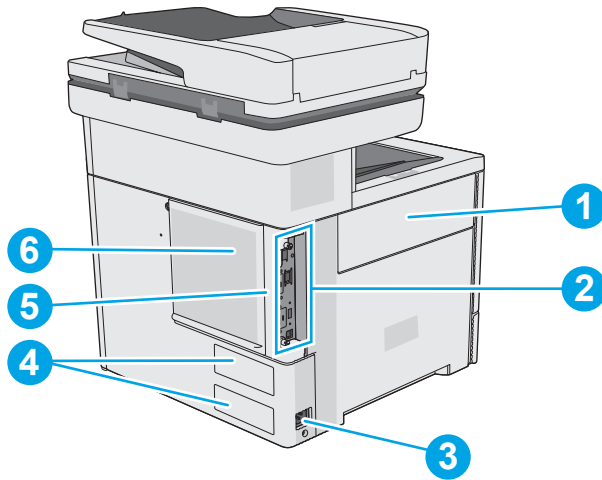
1	Toner-collection-unit door
2	Formatter (contains the interface ports)
3	Power connection
4	Serial number and product number label
5	Formatter cover

Product front view (M577 models)



1	Document-feeder cover (access for clearing jams)
2	Document-feeder input tray
3	Document-feeder output bin
4	Control panel with color touchscreen display
5	Convenience stapler (M577c/f/z models only)
6	Right door (access to the fuser and for clearing jams)
7	Tray 1
8	On/off button
9	Model name
10	Tray 2
11	Front door (access to the toner cartridges)
12	Standard output bin
13	Physical keyboard (M577c/z models only)
14	Easy-access USB port (on the side of the control panel)
15	Hardware integration pocket (for connecting accessory and third-party devices)

Product back view (M577 models)



1	Toner-collection-unit door
2	Formatter (contains the interface ports)
3	Power connection
4	Serial number and product number label
5	Slot for a cable-type security lock (on the rear cover of the printer)
6	Formatter cover

Order parts, accessories, and supplies

Ordering

Order supplies and paper	www.hp.com/go/suresupply
Order genuine HP parts or accessories	www.hp.com/buy/parts or partsurfer.hp.com
Order through service or support providers	Contact an HP-authorized service or support provider.
Order using the HP Embedded Web Server (EWS)	To access, in a supported Web browser on your computer, enter the product IP address or host name in the address/URL field. The EWS contains a link to the HP SureSupply Web site, which provides options for purchasing Original HP supplies.

Orderable parts

Not all of the parts shown in the diagrams in this chapter can be ordered. Refer to the table following the diagram or the parts lists at the end of this chapter to determine if a part is orderable.

Supplies

Following are the part numbers for the supplies available for the product.

Table 2-1 Supplies

Item	Description	Part number
HP 508A Black Original LaserJet Toner Cartridge	Standard-capacity replacement black toner cartridge	CF360A (new)
		CF360-67901 (service)
HP 508X High Yield Black Original LaserJet Toner Cartridge	High-capacity replacement black toner cartridge	CF360X (new)
		CF360-67902 (service)
HP 508A Cyan Original LaserJet Toner Cartridge	Standard-capacity replacement cyan cartridge	CF361A (new)
		CF361-67901 (service)
HP 508X High Yield Cyan Original LaserJet Toner Cartridge	High-capacity replacement cyan toner cartridge	CF361X (new)
		CF361-67902 (service)
HP 508A Yellow Original LaserJet Toner Cartridge	Standard-capacity replacement yellow toner cartridge	CF362A (new)
		CF362-67901 (service)
HP 508X High Yield Yellow Original LaserJet Toner Cartridge	High-capacity replacement yellow toner cartridge	CF362X (new)
		CF362-67902 (service)
HP 508A Magenta Original LaserJet Toner Cartridge	Standard-capacity replacement magenta toner cartridge	CF363A (new)
		CF363-67901 (service)

Table 2-1 Supplies (continued)

Item	Description	Part number
HP 508X High Yield Magenta Original LaserJet Toner Cartridge	High-capacity replacement magenta toner cartridge	CF363X (new)
		CF363-67902 (service)
HP toner-collection unit	Replacement toner-collection unit with attached door	B5L37A (new)
		B5L37-67901 (service)
HP Staple Cartridge Pack (M577f and M577z)	Replacement staple cartridges. Contains two staple cartridges of 1500 staples each.	Q7432A
HP LaserJet 200 ADF Roller Replacement Kit (M577)	Replacement feed rollers for the document feeder	B5L52A (new)
		B5L52-67903 (service)
Fuser kit (110V)	Fuser (110V)	B5L35A (new)
		B5L35-67902 (service)
Fuser kit (220V)	Fuser (220V)	B5L36A (new)
		B5L36-67902 (service)

Accessories

Following are the part numbers for the accessories available for the printers.

Table 2-2 Accessories (M552 and M553)

Item	Description	Part number
550-sheet paper feeder	Optional 550-sheet paper feeder (included with the x model)	B5L34A (new)
		B5L34-67901 (service)
	NOTE: The M552 model accepts one 550-sheet paper feeder. The M553 models accept up to three 550-sheet paper feeders.	
Printer stand and cabinet	Optional stand with storage cabinet to support the printer	B5L51A (new)
		B5L51-67901 (service)
	Recommended when using multiple optional paper feeders.	
HP secure 500 GB high-performance hard disk drive	Optional hard drive	B5L29A (new)
		B5L29-67903 (service)
	NOTE: Not supported for the M552dn.	
1GB DDR3 slim memory DIMM	Optional DIMM for expanding the memory	G6W84A (new)
		5851-6422 (service)
	NOTE: M553 only	
HP internal USB ports	Two optional USB ports for connecting third-party devices	B5L28A (new)
		B5L28-67902 (service)
HP Trusted Platform Module (TPM)	Automatically encrypts all data that passes through the product	F5S62A (new)
		F5S62-61001 (service)

Table 2-3 Accessories (M577)

Item	Description	Part number
550-sheet paper feeder	Optional 550-sheet paper feeder	B5L34A (new)
	NOTE: The printer supports up to three 550-sheet paper feeders.	B5L34-67901 (service)
Printer stand and cabinet	Optional stand with storage cabinet to support the printer	B5L51A (new)
	Recommended when using multiple optional paper feeders.	B5L51-67901 (service)
HP LaserJet Keyboard Overlay Kit for Simplified Chinese & Traditional Chinese	Language-specific, adhesive overlay for the physical keyboard	A7W12A
HP LaserJet Keyboard Overlay Kit for Swedish	Language-specific, adhesive overlay for the physical keyboard	A7W14A
HP secure 500 GB high-performance hard disk drive	Optional 500 GB hard drive	B5L29A (new)
		B5L29-67903 (service)
1GB DDR3 x32 144-Pin 800MHz SODIMM (M577)	Optional DIMM for expanding the memory	E5K48A (new)
		E5K48-67902 (service)
HP internal USB ports	Two optional USB ports for connecting third-party devices	B5L28A (new)
		B5L28-67902 (service)
HP Smartcard NIPRNet Solution for US Government	Nonsecure Internet Protocol (IP) Router Network for transmitting non-classified information	CC543B
NOTE: Requires installing the HP Internal USB ports accessory (B5L28A).		
HP Smartcard NIPRNet Solution for US Government	Secret Internet Protocol (IP) Router Network for transmitting classified information	F8B30A
NOTE: Requires installing the HP Internal USB ports accessory (B5L28A).		
HP Trusted Platform Module (TPM)	Automatically encrypts all data that passes through the product	F5S62A (new)
		F5S62-61001 (service)
HP Foreign Interface Harness	Optional port for connecting third-party devices	B5L31A (new)
		B5L31-67902 (service)
HP LaserJet MFP Analog Fax Accessory 600	Optional fax accessory for the dn model	B5L53A (new)
		B5L53-67901 (service)
HP Jetdirect 2900nw Print Server	USB wireless print server accessory	J8031A
HP Jetdirect 3000w NFC/Wireless Accessory	Wi-Fi direct accessory for “touch” printing from mobile devices	J8030A

Customer self-repair kits

Following are the customer-replaceable kits available for the product. Each kit includes parts and installation instructions.

The customer self-repair (CSR) level indicates the expected difficulty the customer will experience when replacing this part:

- **A:** Easy
- **B:** Difficult

Item	Description	CSR level	Part number
Control panel kit (M553x only)	<ul style="list-style-type: none"> • Control panel 	A	B5L24-67903
Control panel kit (M577 only)	<ul style="list-style-type: none"> • Control panel 	A	B5L47-67018
Secondary transfer roller kit	<ul style="list-style-type: none"> • Secondary transfer roller 	A	B5L24-67902
Intermediate transfer belt (ITB) and secondary transfer roller kit	<ul style="list-style-type: none"> • ITB • Secondary transfer roller 	B	B5L24-67901
Tray 2-5 roller kit	<ul style="list-style-type: none"> • Rollers for Tray 2 and the optional 550-sheet paper feeders 	A	B5L24-67904
ADF roller replacement Kit (M577)	Replacement feed rollers for the document feeder	A	B5L52-67903
Fuser kit (110V)	<ul style="list-style-type: none"> • Fuser (110V) 	A	B5L35-67902
Fuser kit (220V)	<ul style="list-style-type: none"> • Fuser (220V) 	A	B5L36-67902
embedded MultiMedia Card (eMMC) kit (M552 and M553 only)	<ul style="list-style-type: none"> • eMMC module 	A	5851-6436
320GB encrypted hard disk drive kit (M577 only)	<ul style="list-style-type: none"> • Replacement hard disk drive 	A	5851-6712
White backing kit (M577 only)	<ul style="list-style-type: none"> • White backing for the document feeder • Retention clips for the document feeder white backing 	A	5851-6570
Retention clip kit (M577 only)	<ul style="list-style-type: none"> • Retention clips for the document feeder white backing 	A	5851-6573
Keyboard kit (M577c/z only)	<ul style="list-style-type: none"> • Keyboard 	A	B5L47-67019 (US) B5L47-67020 (UK)
Keyboard overlay kit (FR, IT, RU, DE, ES: UK Kybd) (M577c/z only)	<ul style="list-style-type: none"> • Keyboard overlay 	A	5851-6019
Keyboard overlay kit (FR-CN, ES-LA, ES: US Kybd)(M577c/z only)	<ul style="list-style-type: none"> • Keyboard overlay 	A	5851-6020
Keyboard overlay kit (FR-SW, DE-SW, DA: UK Kybd) (M577c/z only)	<ul style="list-style-type: none"> • Keyboard overlay 	A	5851-6021
Keyboard overlay kit (ZHTW, ZHCN) (M577c/z only)	<ul style="list-style-type: none"> • Keyboard overlay 	A	5851-6022

Item	Description	CSR level	Part number
Keyboard overlay kit (ES, PT) (M577c/z only)	<ul style="list-style-type: none">Keyboard overlay	A	5851-6023
Keyboard overlay kit (JA-KG, JA-KT) (M577c/z only)	<ul style="list-style-type: none">Keyboard overlay	A	5851-6024


Related documentation and software


HP service personnel, go to the Service Access Work Bench (SAW) at <http://h41302.www4.hp.com/km/saw/home.do>.

Channel partners, go to HP Channel Services Network (CSN) at <https://h30125.www3.hp.com/hpcsn>.

How to use the parts lists and diagrams

The figures in this chapter show the major subassemblies in the product and their component parts. A parts list table follows each exploded view assembly diagram. Each table lists the item number, the associated part number, and the description of each part. If a part is not listed in the table, then it is not a field replacement unit (FRU).

 **CAUTION:** Be sure to order the correct part. When looking for part numbers for electrical components, pay careful attention to the voltage that is listed in the description column. Doing so will ensure that the part number selected is for the correct model.

 **NOTE:** In this manual, the abbreviation “PCA” stands for “printed circuit-board assembly.” Components described as a PCA might consist of a single circuit board or a circuit board plus other parts, such as cables and sensors.

Parts and diagrams: Document feeder and scanner whole units

Figure 2-1 Document feeder and scanner whole units (M577 only)

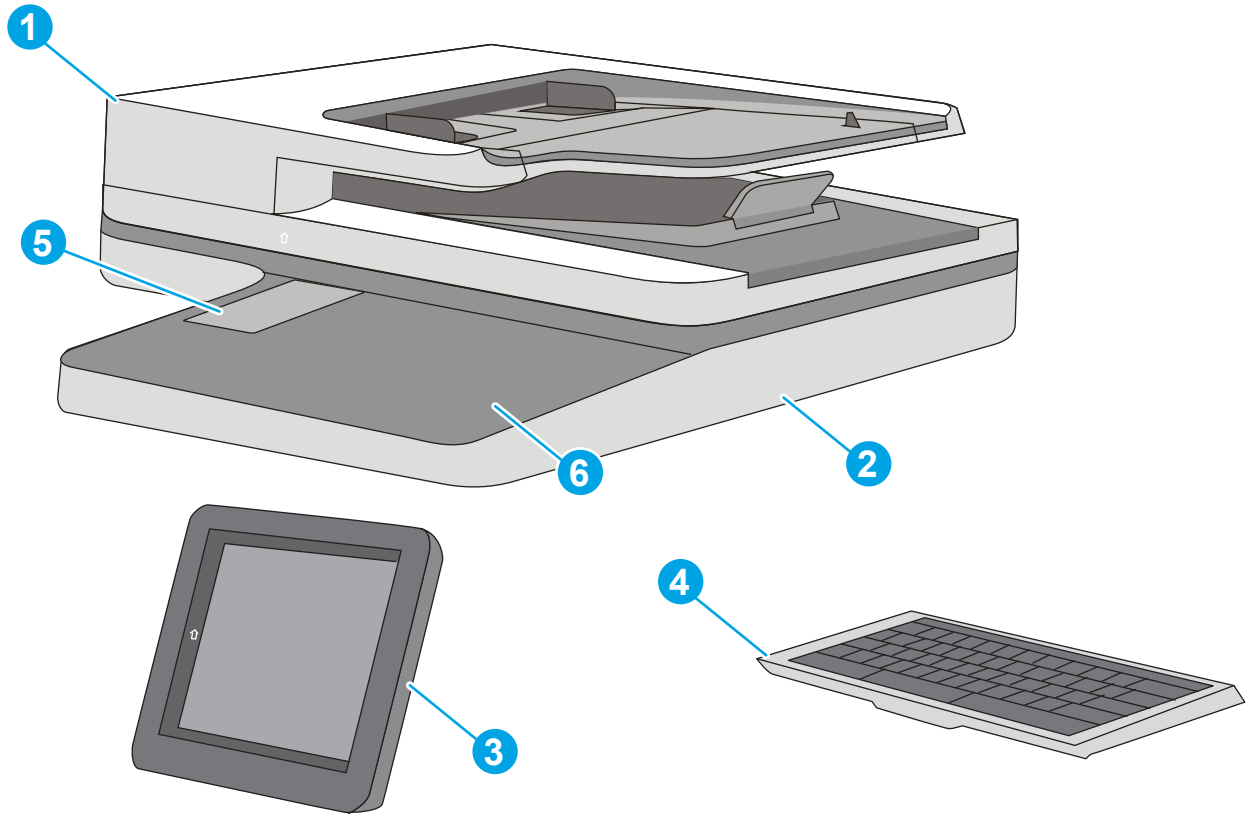


Table 2-4 Document feeder and scanner whole units (M577 only)

Ref	Description	Part number	Qty
1	Document feeder (M577dn/f) kit; includes white backing and retention clips	B5L47-67901	1
1	Document feeder (M577c/z) kit; includes white backing and retention clips	B5L47-67902	1
2	Image scanner (M577) kit; includes white backing and retention clips	B5L46-67904	1
3	Control panel (M577) kit	B5L47-67018	1
4	Keyboard US (M577c/z)	B5L47-67019	1
4	Keyboard UK (M577c/z)	B5L47-67020	1
5	Cover, HIP (M577)	B5L46-40021	1
6	Bezel, control panel with NFC icon (M577)	B5L46-40026	1
6	Bezel, control panel without NFC icon (M577)	B5L46-40020	1
Not shown	Scan control board	B5L47-67903	1
Not shown	Cover, keyboard (M577dn/f)	B5L46-40002	1
Not shown	Cover, rear (image scanner; M577)	B5L46-40011	1
Not shown	Cover, USB (M577)	B5L46-40028	1
Not shown	Cover, right front upper (M577dn)	B5L46-40024	1
Not shown	Cover assembly, stapler (M577c/f/z)	B5L46-60121	1
Not shown	Stapler (M577c/f/z)	B5L46-60102	1
Not shown	Hinge, left document feeder (M577)	COM39-60064	1
Not shown	Hinge, right document feeder (M577)	COM39-60065	1
Not shown	Cable, stapler (M577)	B5L46-60121	1
Not shown	Cable, WU USB control panel (M577)	5851-5939	1
Not shown	Cable, HIP USB control panel (M577)	5851-5938	1
Not shown	Cable, HDMI control panel (M577)	5851-5936	1
Not shown	Cable, 18-pin control panel (M577)	5851-5935	1
Not shown	Cable, HDMI PAB to SCAM (M577)	B5L46-60114	1
Not shown	Keyboard overlay kit (FR, IT, RU, DE, ES: UK Kybd)	5851-6019	1
Not shown	Keyboard overlay kit (FR-CN, ES-LA, ES: US Kybd)	5851-6020	1
Not shown	Keyboard overlay kit (FR-SW, DE-SW, DA: UK Kybd)	5851-6021	1
Not shown	Keyboard overlay kit (ZHTW, ZHCN)	5851-6022	1
Not shown	Keyboard overlay kit (ES, PT)	5851-6023	1
Not shown	Keyboard overlay kit (JA-KG, JA-KT)	5851-6024	1

Parts and diagrams: Covers

Covers (M552 and M553)

Figure 2-2 Covers (M552, M553)

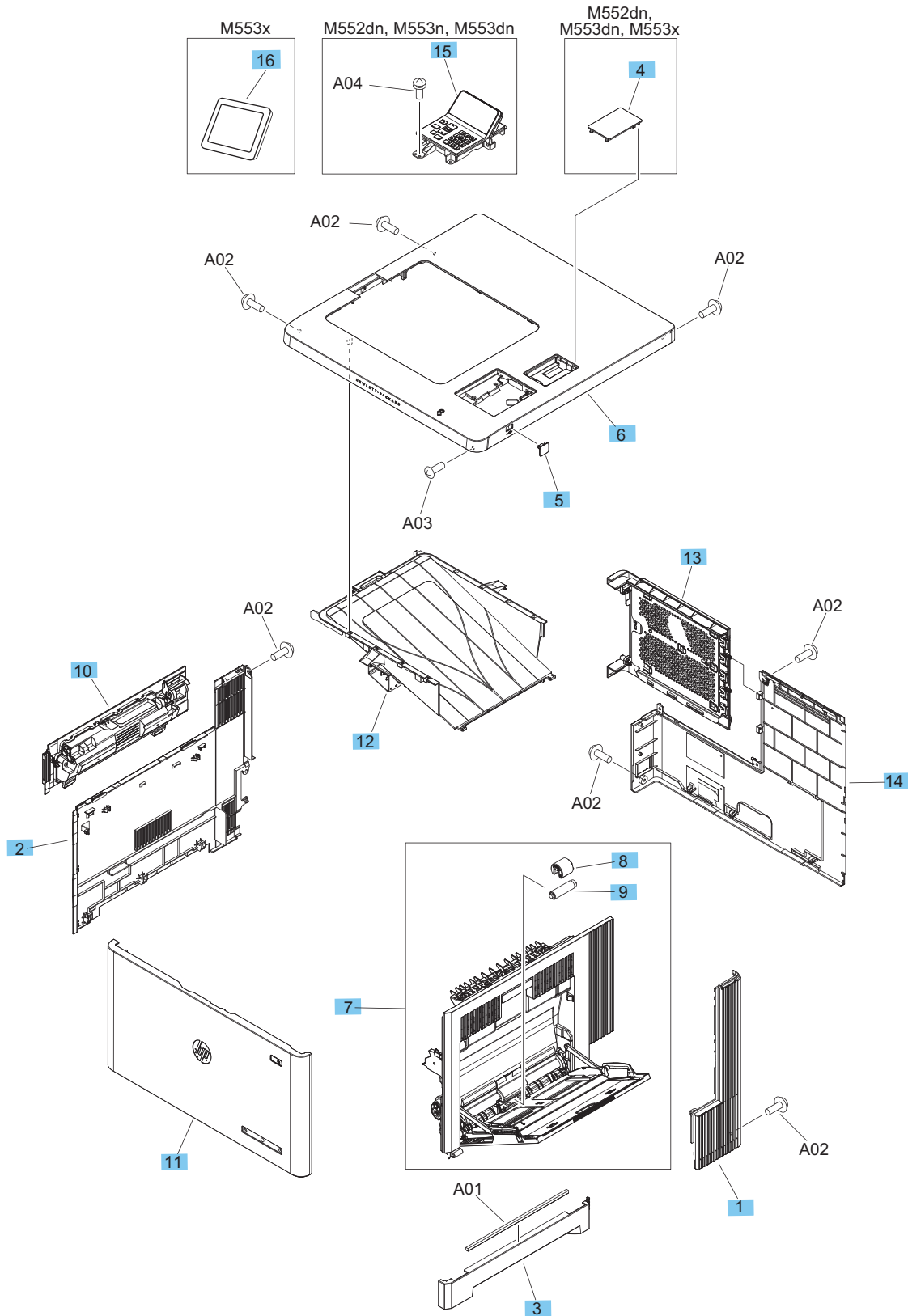


Table 2-5 Covers (M552, M553)

Ref	Description	Part number	Qty
1	Cover, right rear	RC4-0178-000CN	1
2	Cover, left	RC4-0179-000CN	1
3	Handle, right	RC4-0183-000CN	1
4	Cover, HIP (M552dn, M553dn, M553x)	RC4-0213-000CN	1
5	Cover, USB	RC4-0214-000CN	1
6	Cover, upper (M553n)	RL2-0096-000CN	1
6	Cover, upper (M553x)	RL2-0097-000CN	1
6	Cover, upper (M552dn, M553dn)	RL2-0098-000CN	1
7	Door assembly, right	RM2-0019-000CN	1
8	Roller, pickup, Tray 1 (part of Tray 1 roller kit)	B5L24-67905	1
9	Roller, separation, Tray 1 (part of Tray 1 roller kit)	B5L24-67905	1
10	Toner collection unit	B5L37-67901	1
11	Cover, front (M552, M553)	B5L25-67901	1
12	Output bin	RM2-0044-000CN	1
13	Cover, formatter	RM2-0084-000CN	1
14	Cover, rear	RM2-0085-000CN	1
15	Control panel (M552dn, M553n, M553dn)	RM2-7180-000CN	1
16	Control panel (M553x)	B5L24-67903	1

Covers (M577)

Figure 2-3 Covers (M577)

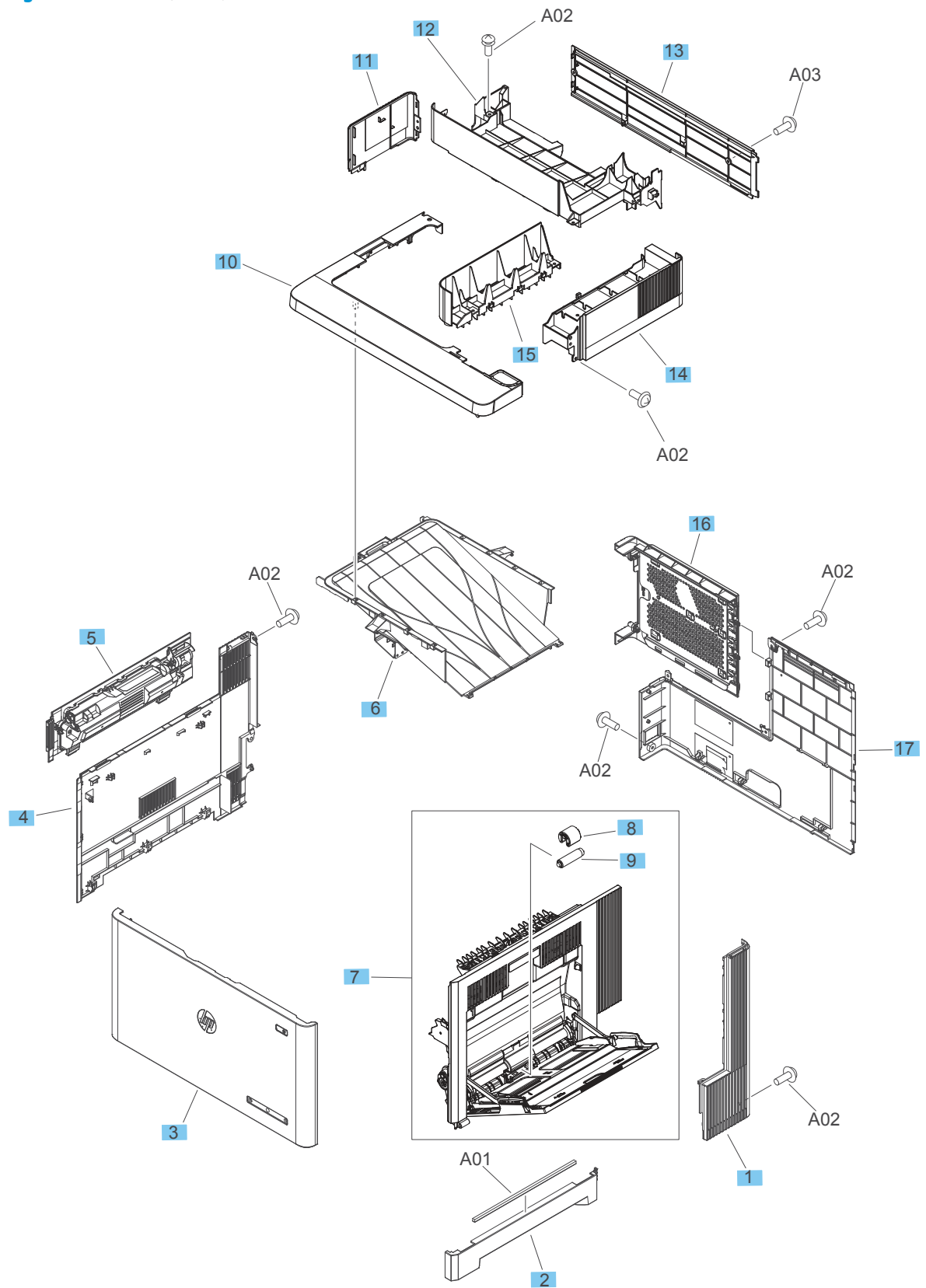


Table 2-6 Covers (M577)

Ref	Description	Part number	Qty
1	Cover, right rear	RC4-0178-000CN	1
2	Handle, right	RC4-0183-000CN	1
3	Cover, front (M577)	B5L46-67906	1
4	Cover, left	RC4-0179-000CN	1
5	Toner collection unit	B5L37-67901	1
6	Output bin	RM2-0044-000CN	1
7	Right door assembly	RM2-0019-000CN	1
8	Roller, pickup, Tray 1 (part of Tray 1 roller kit)	B5L24-67905	1
9	Roller, separation, Tray 1 (part of Tray 1 roller kit)	B5L24-67905	1
10	Cover, top (M577)	RL2-0769-000CN	1
11	Cover, left upper (M577)	RL2-0770-000CN	1
12	Cover, top rear (M577)	RC4-3383-000CN	1
13	Cover, rear upper (M577)	RL2-0771-000CN	1
14	Cover, right upper (M577)	RL2-0772-000CN	1
15	Cover, paper feed (M577)	RC4-3382-000CN	1
16	Cover, formatter	RM2-0084-000CN	1
17	Cover, rear	RM2-0085-000CN	1

Parts and diagrams: Internal components

Internal components (1 of 5)

Figure 2-4 Internal components (1 of 5)

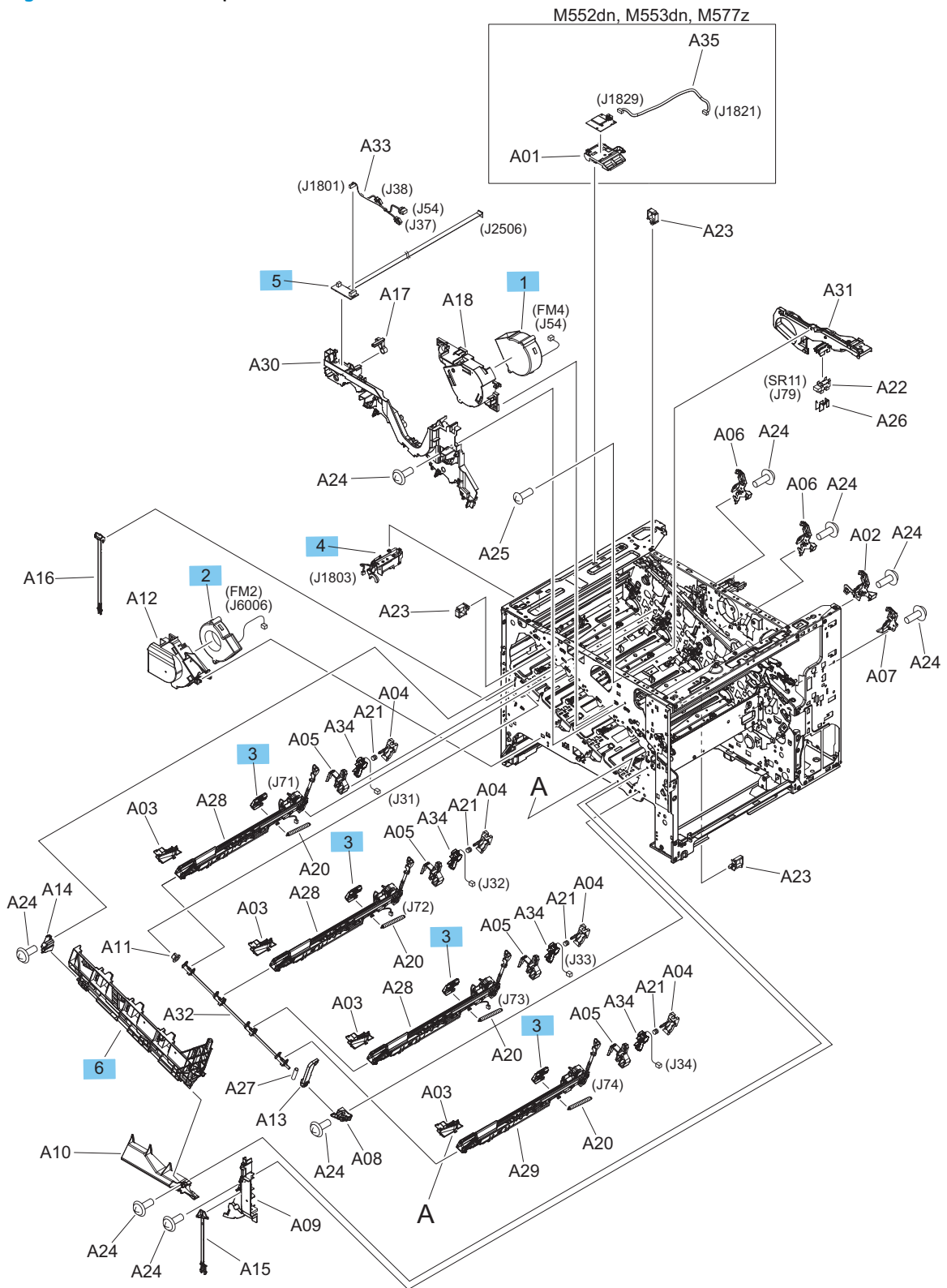


Table 2-7 Internal components (1 of 5)

Ref	Description	Part number	Qty
1	Fan, fuser (FM4)	RK2-2418-000CN	1
2	Fan, cartridge (FM2)	RK2-6124-000CN	1
3	Glass cleaner assembly, dust-proof	RM2-0086-000CN	4
4	Waste toner detect PCA assembly	RM2-7130-000CN	1
5	Connecting PCA assembly	RM2-7156-000CN	1
6	Inner door	RL2-0013-010CN	1
Not shown	Wireless PCA, embedded	1150-7968	1
Not shown	Near field communication (NFC) PCA, embedded (M553x)	B5L24-60002	1
Not shown	Near field communication (NFC) PCA, embedded (M577z)	B5L24-60001	1

Internal components (2 of 5)

Figure 2-5 Internal components (2 of 5)

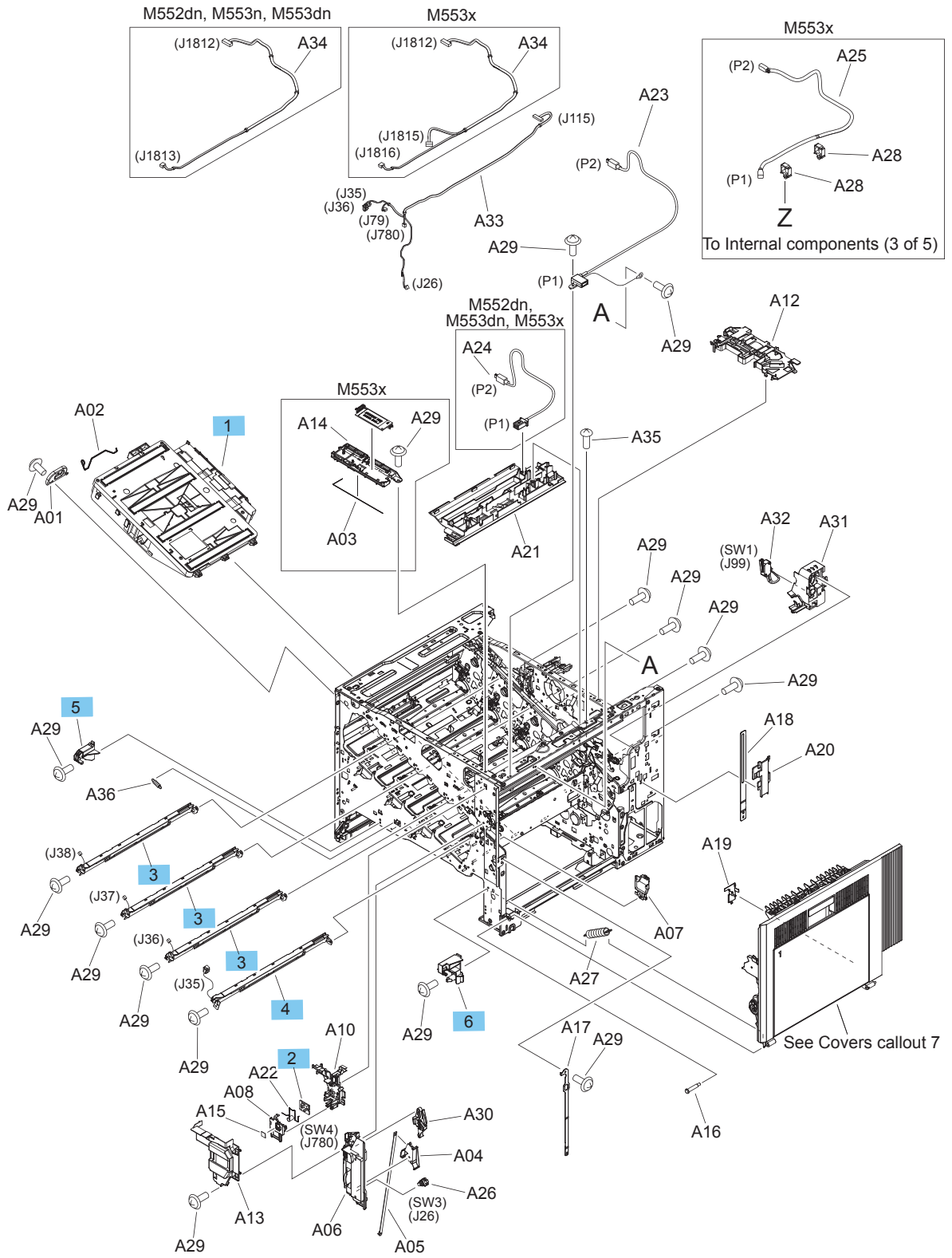


Table 2-8 Internal components (2 of 5)

Ref	Description	Part number	Qty
1	Laser/scanner assembly	RM2-6545-000CN	1
2	Switch PCA assembly (SW4)	RM2-7133-000CN	1
3	Pre-exposure PCA assembly	RM2-7168-000CN	3
4	Pre-exposure PCA assembly	RM2-7169-000CN	1
5	Hinge, cover, front	RC4-0132-000CN	1
6	Hinge, cover, front	RC4-0159-000CN	1

Internal components (3 of 5)

Figure 2-6 Internal components (3 of 5)

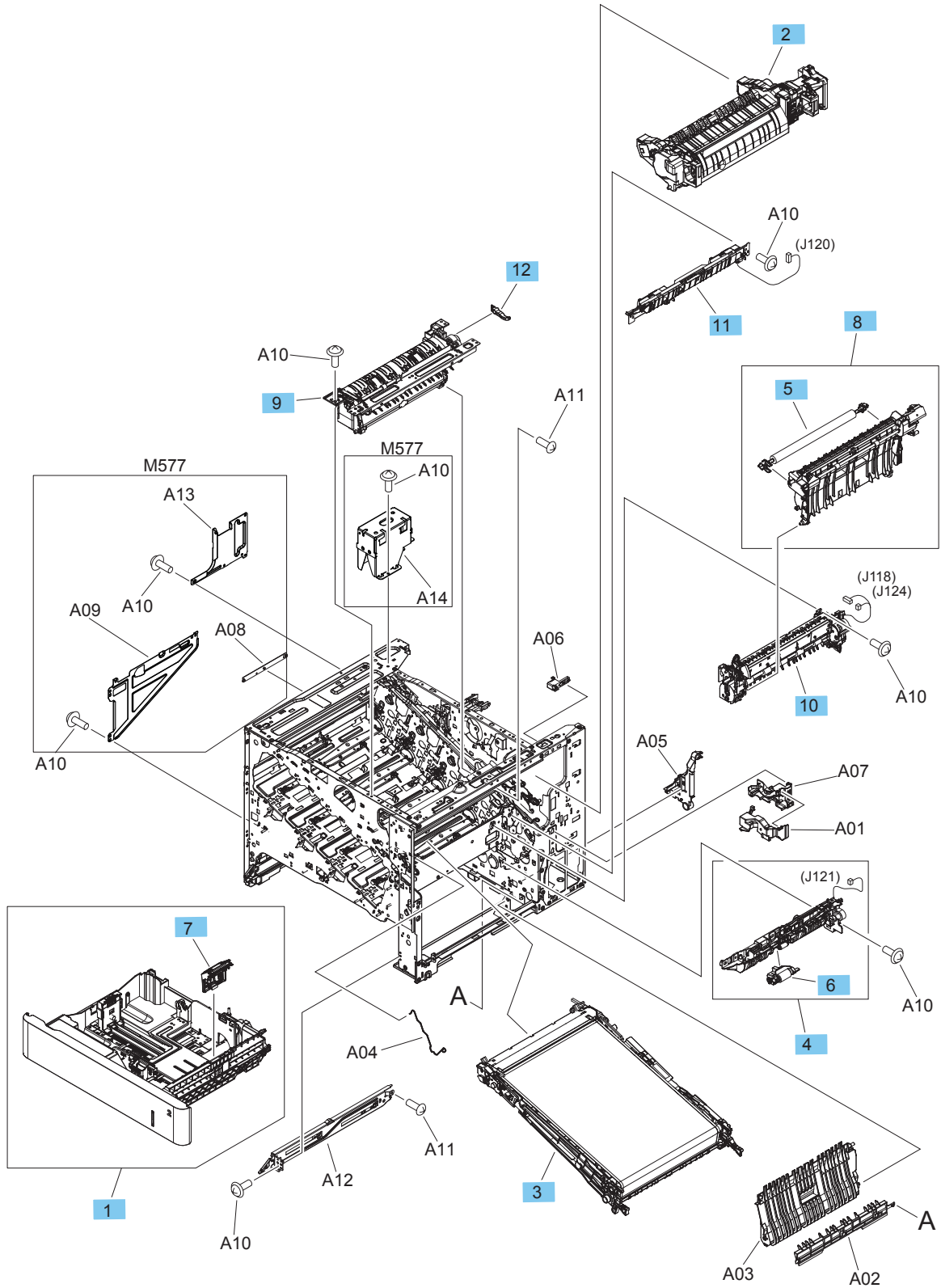


Table 2-9 Internal components (3 of 5)

Ref	Description	Part number	Qty
1	Cassette (Tray 2)	RM2-0007-000CN	1
2	Fuser kit (110V)	B5L35-67902	1
2	Fuser kit (220V)	B5L36-67902	1
2	Fuser service kit (110V)	B5L35-67902	1
2	Fuser service kit (220V)	B5L36-67902	1
3	ITB (part of ITB and secondary transfer roller kit)	B5L24-67901	1
4	Paper pickup assembly	RM2-0017-000CN	1
5	Roller, secondary transfer	B5L24-67902	1
6	Roller, paper pickup (part of Tray 2-5 roller kit)	B5L24-67904	1
7	Roller, separation (part of Tray 2-5 roller kit)	B5L24-67904	1
8	Secondary transfer assembly (M553n)	RM2-0090-000CN	1
8	Secondary transfer assembly (M552dn, M553dn, M553x, M577)	RM2-0022-000CN	1
9	Paper delivery assembly (M553n)	RM2-0092-000CN	1
9	Paper delivery assembly (M552dn, M553dn, M553x, M577)	RM2-0016-000CN	1
10	Registration assembly (M553n)	RM2-0093-000CN	1
10	Registration assembly (M552dn, M553dn, M553x, M577)	RM2-0018-000CN	1
11	Density detect assembly	RM2-7160-000CN	1
12	Arm, solenoid	RC4-0830-000CN	1

Internal components (4 of 5)

Figure 2-7 Internal components (4 of 5)

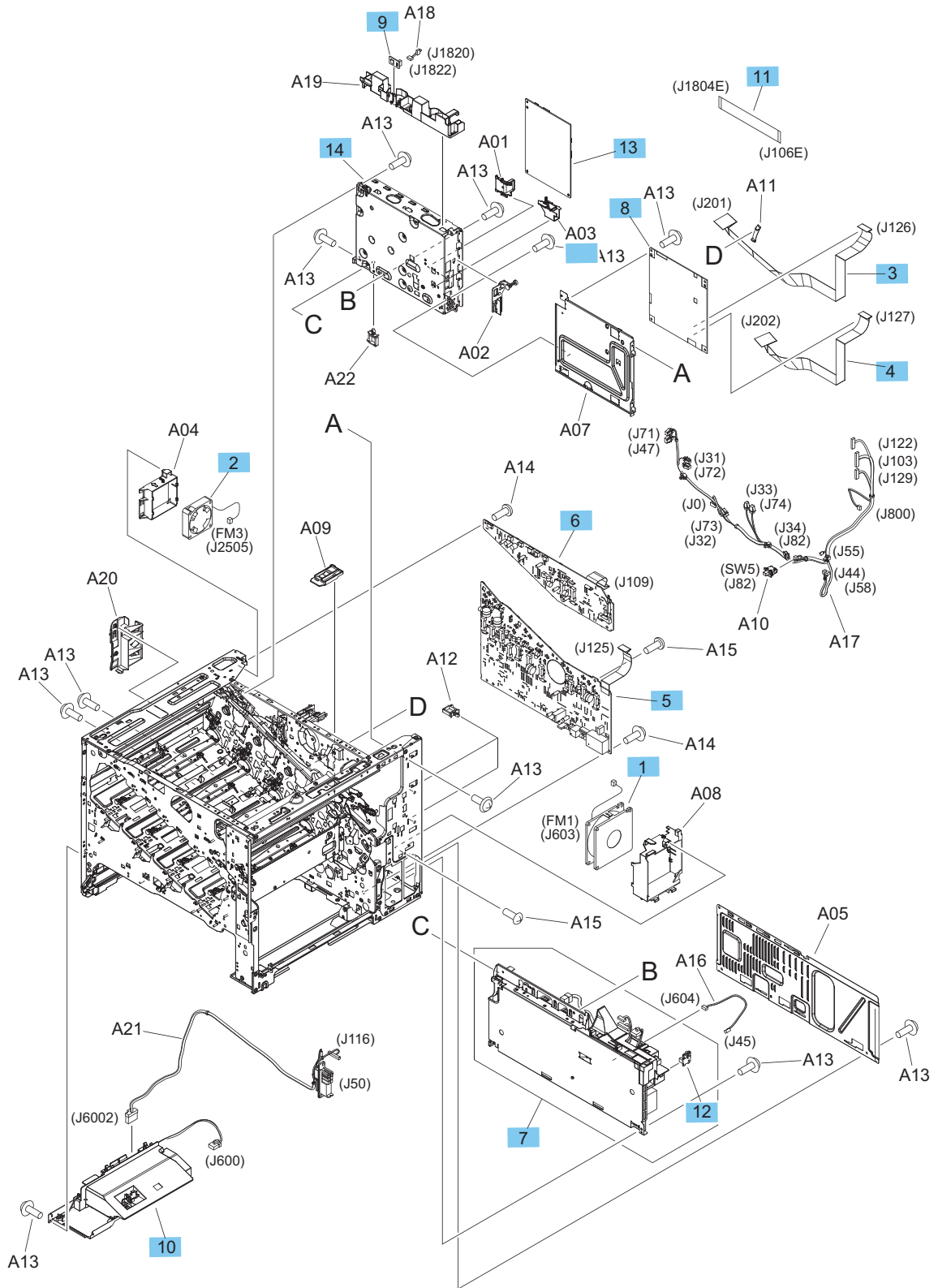


Table 2-10 Internal components (4 of 5)

Ref	Description	Part number	Qty
1	Fan, power-supply (FM1)	RK2-2416-000CN	1
2	Fan, delivery (FM3)	RK2-2728-000CN	1
3	Cable, flexible flat	RK2-6101-000CN	1
4	Cable, flexible flat	RK2-6103-000CN	1
5	HVPS (D) PCA assembly	RM2-7122-000CN	1
6	HVPS (T) PCA assembly (M553n)	RM2-7134-000CN	1
6	HVPS (T) PCA assembly (M552dn, M553dn, M553x, M577)	RM2-7123-000CN	1
7	LVPS PCA assembly	RM2-7164-000CN	1
8	DC controller PCA assembly (M552, M553))	RM2-7186-000CN	1
8	DC controller PCA assembly (M577)	RM2-7187-000CN	1
9	Memory PCA assembly	RM2-7138-000CN	1
10	Fuser power supply PCA assembly	RM2-7125-000CN	1
11	Cable, flexible flat	RK2-6111-000CN	1
12	Environmental sensor PCA assembly	RM2-7154-000CN	1
13	Formatter (M552)	B5L23-67903	1
13	Formatter (M552 India and China only)	B5L23-67904	1
13	Formatter (M553n, M553dn, M553dh)	B5L24-67909	1
13	Formatter (M553n, M553dn, M553dh India and China only)	B5L24-67908	1
13	Formatter (M553x)	B5L26-67901	1
13	Formatter (M553x India and China only)	B5L26-67902	1
13	Formatter (M577)	B5L46-67909	1
13	Formatter (M577 India and China only)	B5L46-67911	1
14	Formatter case	RC4-0152-000CN	1
Not shown	Fax PCA (M577f, M577z)	B5L53-67901	1

Internal components (5 of 5)

Figure 2-8 Internal components (5 of 5)

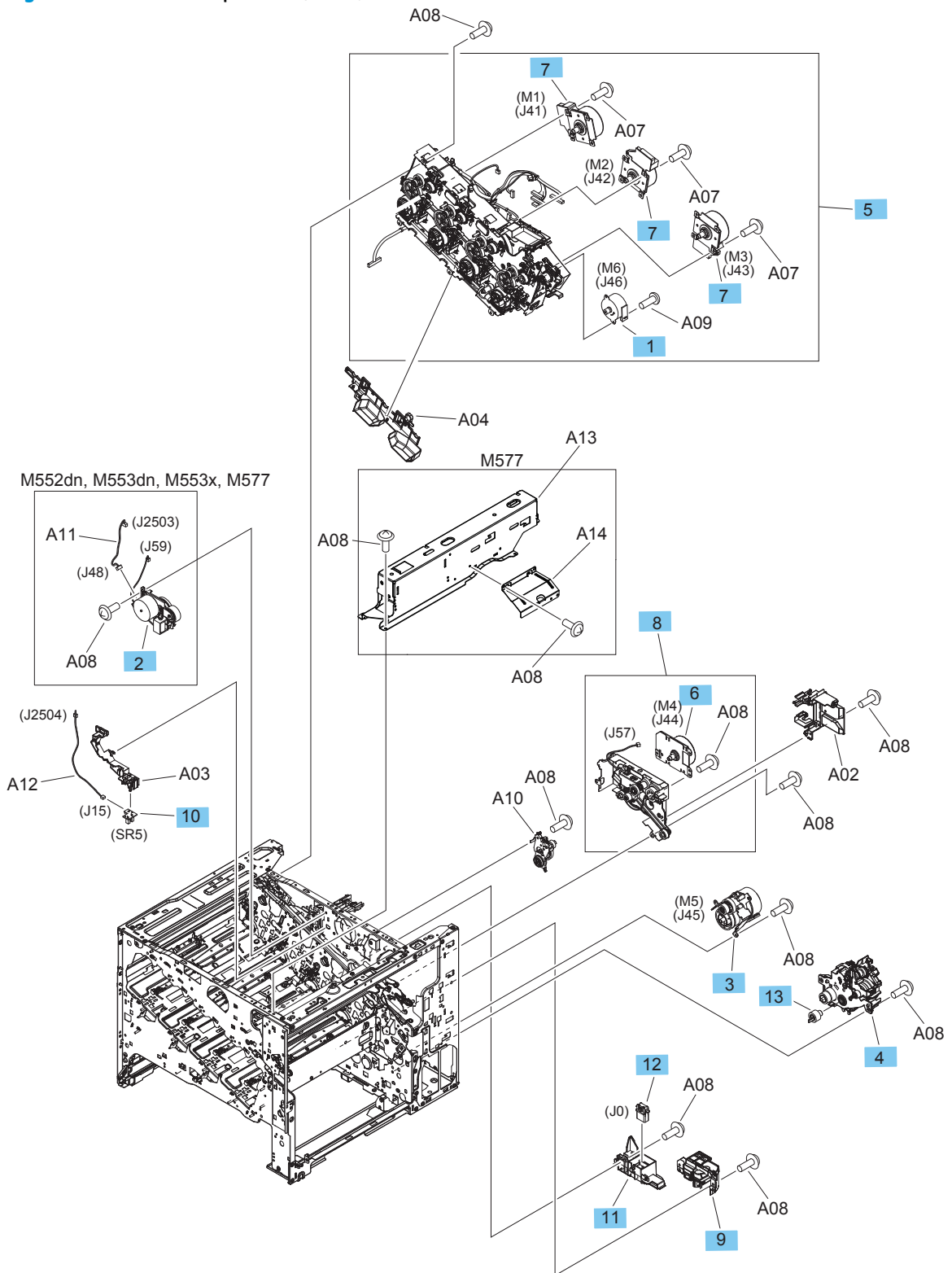


Table 2-11 Internal components (5 of 5)

Ref	Description	Part number	Qty
1	Motor, stepping (M6)	RK2-6027-000CN	1
2	Duplexing drive assembly (M7, CL2; M552dn, M553dn, M553x)	RM2-0006-000CN	1
3	Paper pickup drive assembly (M5)	RM2-0008-000CN	1
4	Lifter drive assembly (CL1)	RM2-0010-000CN	1
5	Main motor drive assembly	B5L25-67902	1
6	Motor assembly, fuser (M4)	RM2-0077-000CN	1
7	Motor assembly, drum (M1, M2, M3)	RM2-0078-000CN	3
8	Fuser drive assembly (M553n)	RM2-0091-000CN	1
8	Fuser drive assembly (M552dn, M553dn, M553x, M577)	RM2-0009-000CN	1
9	Auto close assembly	RM2-5147-000CN	1
10	Estrangement detect PCA assembly (SR5)	RM2-7157-000CN	1
11	Holder, OP Drawer	RC4-0445-000CN	1
12	Connector, drawer	VS1-7258-000CN	1
13	Gear 18T	RU8-0577-000CN	1

Parts and diagrams: 550-sheet paper feeder

550-sheet paper feeder covers

Figure 2-9 550-sheet paper feeder covers

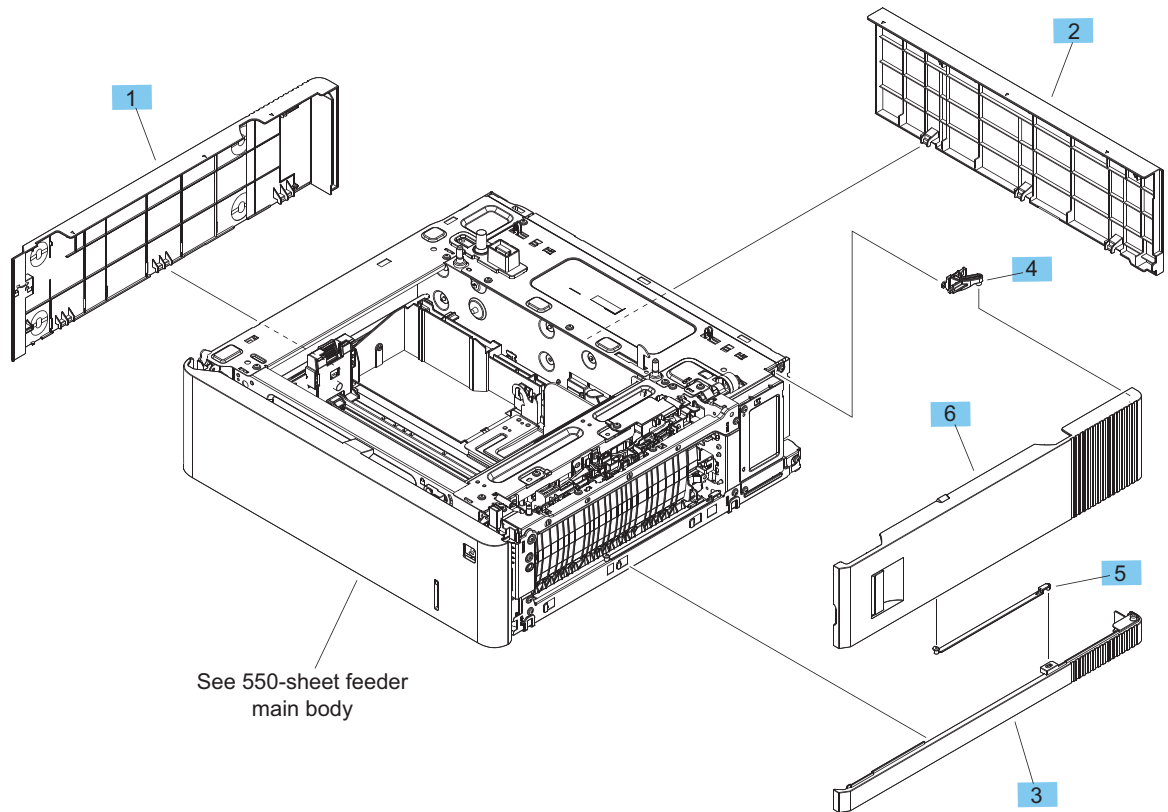


Table 2-12 550-sheet paper feeder covers

Ref	Description	Part number	Qty
1	Cover, left (550-sheet feeder)	RC4-1791-000CN	1
2	Cover, rear (550-sheet feeder)	RC4-1792-000CN	1
3	Cover, right lower (550-sheet feeder)	RC4-1793-000CN	1
4	Hinge, door, right (550-sheet feeder)	RC4-1781-000CN	1
5	Link, door, right (550-sheet feeder)	RC4-1778-000CN	1
6	Door assembly, right (550-sheet feeder)	RM2-5146-000CN	1

550-sheet paper feeder main body

Figure 2-10 550-sheet paper feeder main body

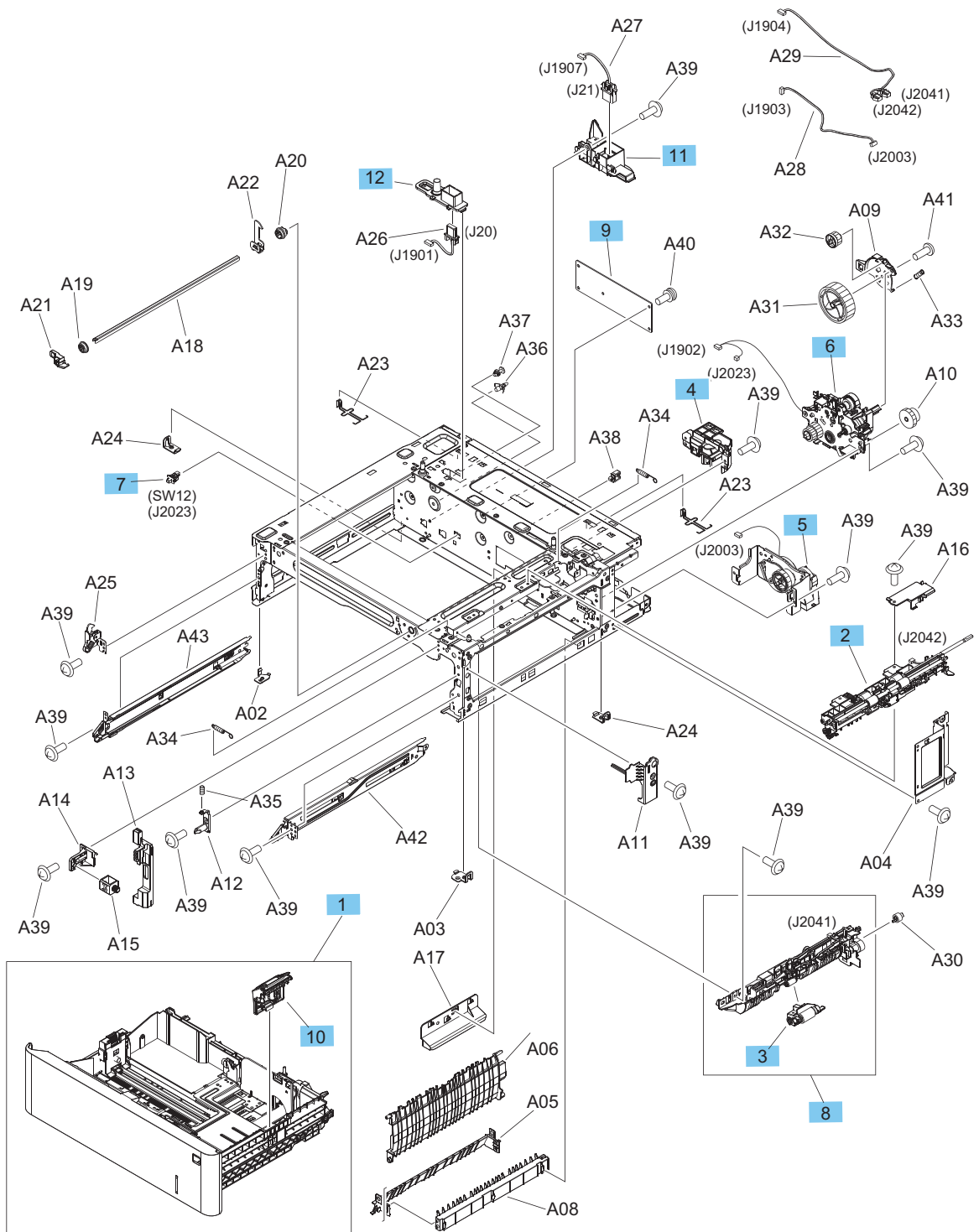


Table 2-13 550-sheet paper feeder covers

Ref	Description	Part number	Qty
1	Cassette (tray; 550-sheet feeder)	RM2-5150-000CN	1
2	Paper feed assembly (550-sheet feeder)	RM2-5145-000CN	1
3	Roller, pickup (550-sheet feeder; part of Tray 2-5 roller kit)	B5L24-67904	1
4	Auto close assembly (550-sheet feeder)	RM2-5147-000CN	1
5	Feed drive assembly (550-sheet feeder)	RM2-5148-000CN	1
6	Lifter drive assembly (550-sheet feeder)	RM2-5149-000CN	1
7	Switch button (SW21; 550-sheet feeder)	WC2-5806-000CN	1
8	Paper pickup assembly (550-sheet feeder)	RM2-5154-000CN	1
9	Paper feed drive PCA assembly (550-sheet feeder)	RM2-7139-000CN	1
10	Roller, separation (550-sheet feeder; part of Tray 2-5 roller kit)	B5L24-67904	1
11	Holder, OP drawer (550-sheet feeder)	RC4-0445-000CN	1
12	Holder, drawer connector (550-sheet feeder)	RC4-1741-000CN	1

Alphabetical parts list

Table 2-14 Alphabetical parts list

Description	Part number	Table and page
Arm, solenoid	RC4-0830-000CN	Internal components (3 of 5) on page 3019
Auto close assembly	RM2-5147-000CN	Internal components (5 of 5) on page 3023
Auto close assembly (550-sheet feeder)	RM2-5147-000CN	550-sheet paper feeder covers on page 3027
Bezel, control panel with NFC icon (M577)	B5L46-40026	Document feeder and scanner whole units (M577 only) on page 3009
Bezel, control panel without NFC icon (M577)	B5L46-40020	Document feeder and scanner whole units (M577 only) on page 3009
Cable, 18-pin control panel (M577)	5851-5935	Document feeder and scanner whole units (M577 only) on page 3009
Cable, flexible flat	RK2-6101-000CN	Internal components (4 of 5) on page 3021
Cable, flexible flat	RK2-6103-000CN	Internal components (4 of 5) on page 3021
Cable, flexible flat	RK2-6111-000CN	Internal components (4 of 5) on page 3021
Cable, HDMI control panel (M577)	5851-5936	Document feeder and scanner whole units (M577 only) on page 3009
Cable, HDMI PAB to SCAM (M577)	B5L46-60114	Document feeder and scanner whole units (M577 only) on page 3009
Cable, HIP USB control panel (M577)	5851-5938	Document feeder and scanner whole units (M577 only) on page 3009
Cable, stapler (M577)	B5L46-60121	Document feeder and scanner whole units (M577 only) on page 3009
Cable, WU USB control panel (M577)	5851-5939	Document feeder and scanner whole units (M577 only) on page 3009
Cassette (Tray 2)	RM2-0007-000CN	Internal components (3 of 5) on page 3019
Cassette (tray; 550-sheet feeder)	RM2-5150-000CN	550-sheet paper feeder covers on page 3027
Connecting PCA assembly	RM2-7156-000CN	Internal components (1 of 5) on page 3015
Connector, drawer	V51-7258-000CN	Internal components (5 of 5) on page 3023

Table 2-14 Alphabetical parts list (continued)

Description	Part number	Table and page
Control panel (M552dn, M553n, M553dn)	RM2-7180-000CN	Covers (M552, M553) on page 3011
Control panel (M553x)	B5L24-67903	Covers (M552, M553) on page 3011
Control panel (M577) kit	B5L47-67018	Document feeder and scanner whole units (M577 only) on page 3009
Cover assembly, stapler (M577c/f/z)	B5L46-60121	Document feeder and scanner whole units (M577 only) on page 3009
Cover, formatter	RM2-0084-000CN	Covers (M552, M553) on page 3011
Cover, formatter	RM2-0084-000CN	Covers (M577) on page 3013
Cover, front (M552, M553)	B5L25-67901	Covers (M552, M553) on page 3011
Cover, front (M577)	B5L46-67906	Covers (M577) on page 3013
Cover, HIP (M552dn, M553dn, M553x)	RC4-0213-000CN	Covers (M552, M553) on page 3011
Cover, HIP (M577)	B5L46-40021	Document feeder and scanner whole units (M577 only) on page 3009
Cover, keyboard (M577dn/f)	B5L46-40002	Document feeder and scanner whole units (M577 only) on page 3009
Cover, left	RC4-0179-000CN	Covers (M552, M553) on page 3011
Cover, left	RC4-0179-000CN	Covers (M577) on page 3013
Cover, left (550-sheet feeder)	RC4-1791-000CN	550-sheet paper feeder covers on page 3025
Cover, left upper (M577)	RL2-0770-000CN	Covers (M577) on page 3013
Cover, paper feed (M577)	RC4-3382-000CN	Covers (M577) on page 3013
Cover, rear	RM2-0085-000CN	Covers (M552, M553) on page 3011
Cover, rear	RM2-0085-000CN	Covers (M577) on page 3013
Cover, rear (550-sheet feeder)	RC4-1792-000CN	550-sheet paper feeder covers on page 3025
Cover, rear (image scanner; M577)	B5L46-40011	Document feeder and scanner whole units (M577 only) on page 3009
Cover, rear upper (M577)	RL2-0771-000CN	Covers (M577) on page 3013
Cover, right front upper (M577dn)	B5L46-40024	Document feeder and scanner whole units (M577 only) on page 3009

Table 2-14 Alphabetical parts list (continued)

Description	Part number	Table and page
Cover, right lower (550-sheet feeder)	RC4-1793-000CN	550-sheet paper feeder covers on page 3025
Cover, right rear	RC4-0178-000CN	Covers (M552, M553) on page 3011
Cover, right rear	RC4-0178-000CN	Covers (M577) on page 3013
Cover, right upper (M577)	RL2-0772-000CN	Covers (M577) on page 3013
Cover, top (M577)	RL2-0769-000CN	Covers (M577) on page 3013
Cover, top rear (M577)	RC4-3383-000CN	Covers (M577) on page 3013
Cover, upper (M552dn, M553dn)	RL2-0098-000CN	Covers (M552, M553) on page 3011
Cover, upper (M553n)	RL2-0096-000CN	Covers (M552, M553) on page 3011
Cover, upper (M553x)	RL2-0097-000CN	Covers (M552, M553) on page 3011
Cover, USB	RC4-0214-000CN	Covers (M552, M553) on page 3011
Cover, USB (M577)	B5L46-40028	Document feeder and scanner whole units (M577 only) on page 3009
DC controller PCA assembly (M552, M553)	RM2-7186-000CN	Internal components (4 of 5) on page 3021
DC controller PCA assembly (M577)	RM2-7187-000CN	Internal components (4 of 5) on page 3021
Density detect assembly	RM2-7160-000CN	Internal components (3 of 5) on page 3019
Document feeder (M577c/z) kit; includes white backing and retention clips	B5L47-67902	Document feeder and scanner whole units (M577 only) on page 3009
Document feeder (M577dn/f) kit; includes white backing and retention clips	B5L47-67901	Document feeder and scanner whole units (M577 only) on page 3009
Door assembly, right	RM2-0019-000CN	Covers (M552, M553) on page 3011
Door assembly, right (550-sheet feeder)	RM2-5146-000CN	550-sheet paper feeder covers on page 3025
Duplexing drive assembly (M7, CL2; M552dn, M553dn, M553x)	RM2-0006-000CN	Internal components (5 of 5) on page 3023
Environmental sensor PCA assembly	RM2-7154-000CN	Internal components (4 of 5) on page 3021
Estrangement detect PCA assembly (SR5)	RM2-7157-000CN	Internal components (5 of 5) on page 3023
Fan, cartridge (FM2)	RK2-6124-000CN	Internal components (1 of 5) on page 3015

Table 2-14 Alphabetical parts list (continued)

Description	Part number	Table and page
Fan, delivery (FM3)	RK2-2728-000CN	Internal components (4 of 5) on page 3021
Fan, fuser (FM4)	RK2-2418-000CN	Internal components (1 of 5) on page 3015
Fan, power-supply (FM1)	RK2-2416-000CN	Internal components (4 of 5) on page 3021
Fax PCA (M577f, M577z)	B5L53-67901	Internal components (4 of 5) on page 3021
Feed drive assembly (550-sheet feeder)	RM2-5148-000CN	550-sheet paper feeder covers on page 3027
Formatter (M552 India and China only)	B5L23-67904	Internal components (4 of 5) on page 3021
Formatter (M552)	B5L23-67903	Internal components (4 of 5) on page 3021
Formatter (M553n, M553dn, M553dh India and China only)	B5L24-67908	Internal components (4 of 5) on page 3021
Formatter (M553n, M553dn, M553dh)	B5L24-67909	Internal components (4 of 5) on page 3021
Formatter (M553x India and China only)	B5L26-67902	Internal components (4 of 5) on page 3021
Formatter (M553x)	B5L26-67901	Internal components (4 of 5) on page 3021
Formatter (M577 India and China only)	B5L46-67911	Internal components (4 of 5) on page 3021
Formatter (M577)	B5L46-67909	Internal components (4 of 5) on page 3021
Formatter case	RC4-0152-000CN	Internal components (4 of 5) on page 3021
Fuser drive assembly (M552dn, M553dn, M553x, M577)	RM2-0009-000CN	Internal components (5 of 5) on page 3023
Fuser drive assembly (M553n)	RM2-0091-000CN	Internal components (5 of 5) on page 3023
Fuser kit (110V)	B5L35-67902	Internal components (3 of 5) on page 3019
Fuser kit (220V)	B5L36-67902	Internal components (3 of 5) on page 3019
Fuser power supply PCA assembly	RM2-7125-000CN	Internal components (4 of 5) on page 3021
Fuser service kit (110V)	B5L35-67902	Internal components (3 of 5) on page 3019
Fuser service kit (220V)	B5L36-67902	Internal components (3 of 5) on page 3019

Table 2-14 Alphabetical parts list (continued)

Description	Part number	Table and page
Gear 18T	RU8-0577-000CN	Internal components (5 of 5) on page 3023
Glass cleaner assembly, dust-proof	RM2-0086-000CN	Internal components (1 of 5) on page 3015
Handle, right	RC4-0183-000CN	Covers (M552, M553) on page 3011
Handle, right	RC4-0183-000CN	Covers (M577) on page 3013
Hinge, cover, front	RC4-0132-000CN	Internal components (2 of 5) on page 3017
Hinge, cover, front	RC4-0159-000CN	Internal components (2 of 5) on page 3017
Hinge, door, right (550-sheet feeder)	RC4-1781-000CN	550-sheet paper feeder covers on page 3025
Hinge, left document feeder (M577)	COM39-60064	Document feeder and scanner whole units (M577 only) on page 3009
Hinge, right document feeder (M577)	COM39-60065	Document feeder and scanner whole units (M577 only) on page 3009
Holder, drawer connector (550-sheet feeder)	RC4-1741-000CN	550-sheet paper feeder covers on page 3027
Holder, OP Drawer	RC4-0445-000CN	Internal components (5 of 5) on page 3023
Holder, OP drawer (550-sheet feeder)	RC4-0445-000CN	550-sheet paper feeder covers on page 3027
HVPS (D) PCA assembly	RM2-7122-000CN	Internal components (4 of 5) on page 3021
HVPS (T) PCA assembly (M552dn, M553dn, M553x, M577)	RM2-7123-000CN	Internal components (4 of 5) on page 3021
HVPS (T) PCA assembly (M553n)	RM2-7134-000CN	Internal components (4 of 5) on page 3021
Image scanner (M577) kit; includes white backing and retention clips	B5L46-67904	Document feeder and scanner whole units (M577 only) on page 3009
Inner door	RL2-0013-010CN	Internal components (1 of 5) on page 3015
ITB (part of ITB and secondary transfer roller kit)	B5L24-67901	Internal components (3 of 5) on page 3019
Keyboard overlay kit (ES, PT)	5851-6023	Document feeder and scanner whole units (M577 only) on page 3009
Keyboard overlay kit (FR, IT, RU, DE, ES: UK Kybd)	5851-6019	Document feeder and scanner whole units (M577 only) on page 3009

Table 2-14 Alphabetical parts list (continued)

Description	Part number	Table and page
Keyboard overlay kit (FR-CN, ES-LA, ES: US Kybd)	5851-6020	Document feeder and scanner whole units (M577 only) on page 3009
Keyboard overlay kit (FR-SW, DE-SW, DA: UK Kybd)	5851-6021	Document feeder and scanner whole units (M577 only) on page 3009
Keyboard overlay kit (JA-KG, JA-KT)	5851-6024	Document feeder and scanner whole units (M577 only) on page 3009
Keyboard overlay kit (ZHTW, ZHCN)	5851-6022	Document feeder and scanner whole units (M577 only) on page 3009
Keyboard UK (M577c/z)	B5L47-67020	Document feeder and scanner whole units (M577 only) on page 3009
Keyboard US (M577c/z)	B5L47-67019	Document feeder and scanner whole units (M577 only) on page 3009
Laser/scanner assembly	RM2-6545-000CN	Internal components (2 of 5) on page 3017
Lifter drive assembly (550-sheet feeder)	RM2-5149-000CN	550-sheet paper feeder covers on page 3027
Lifter drive assembly (CL1)	RM2-0010-000CN	Internal components (5 of 5) on page 3023
Link, door, right (550-sheet feeder)	RC4-1778-000CN	550-sheet paper feeder covers on page 3025
LVPS PCA assembly	RM2-7164-000CN	Internal components (4 of 5) on page 3021
Main motor drive assembly	B5L25-67902	Internal components (5 of 5) on page 3023
Memory PCA assembly	RM2-7138-000CN	Internal components (4 of 5) on page 3021
Motor assembly, drum (M1, M2, M3)	RM2-0078-000CN	Internal components (5 of 5) on page 3023
Motor assembly, fuser (M4)	RM2-0077-000CN	Internal components (5 of 5) on page 3023
Motor, stepping (M6)	RK2-6027-000CN	Internal components (5 of 5) on page 3023
Near field communication (NFC) PCA, embedded (M553x)	B5L24-60002	Internal components (1 of 5) on page 3015
Near field communication (NFC) PCA, embedded (M577z)	B5L24-60001	Internal components (1 of 5) on page 3015
Output bin	RM2-0044-000CN	Covers (M552, M553) on page 3011
Output bin	RM2-0044-000CN	Covers (M577) on page 3013

Table 2-14 Alphabetical parts list (continued)

Description	Part number	Table and page
Paper delivery assembly (M552dn, M553dn, M553x, M577)	RM2-0016-000CN	Internal components (3 of 5) on page 3019
Paper delivery assembly (M553n)	RM2-0092-000CN	Internal components (3 of 5) on page 3019
Paper feed assembly (550-sheet feeder)	RM2-5145-000CN	550-sheet paper feeder covers on page 3027
Paper feed drive PCA assembly (550-sheet feeder)	RM2-7139-000CN	550-sheet paper feeder covers on page 3027
Paper pickup assembly	RM2-0017-000CN	Internal components (3 of 5) on page 3019
Paper pickup assembly (550-sheet feeder)	RM2-5154-000CN	550-sheet paper feeder covers on page 3027
Paper pickup drive assembly (M5)	RM2-0008-000CN	Internal components (5 of 5) on page 3023
Pre-exposure PCA assembly	RM2-7168-000CN	Internal components (2 of 5) on page 3017
Pre-exposure PCA assembly	RM2-7169-000CN	Internal components (2 of 5) on page 3017
Registration assembly (M552dn, M553dn, M553x, M577)	RM2-0018-000CN	Internal components (3 of 5) on page 3019
Registration assembly (M553n)	RM2-0093-000CN	Internal components (3 of 5) on page 3019
Right door assembly	RM2-0019-000CN	Covers (M577) on page 3013
Roller, paper pickup (part of Tray 2-5 roller kit)	B5L24-67904	Internal components (3 of 5) on page 3019
Roller, pickup (550-sheet feeder; part of Tray 2-5 roller kit)	B5L24-67904	550-sheet paper feeder covers on page 3027
Roller, pickup, Tray 1 (part of Tray 1 roller kit)	B5L24-67905	Covers (M552, M553) on page 3011
Roller, pickup, Tray 1 (part of Tray 1 roller kit)	B5L24-67905	Covers (M577) on page 3013
Roller, secondary transfer	B5L24-67902	Internal components (3 of 5) on page 3019
Roller, separation (550-sheet feeder; part of Tray 2-5 roller kit)	B5L24-67904	550-sheet paper feeder covers on page 3027
Roller, separation (part of Tray 2-5 roller kit)	B5L24-67904	Internal components (3 of 5) on page 3019
Roller, separation, Tray 1 (part of Tray 1 roller kit)	B5L24-67905	Covers (M552, M553) on page 3011
Roller, separation, Tray 1 (part of Tray 1 roller kit)	B5L24-67905	Covers (M577) on page 3013
Scan control board	B5L47-67903	Document feeder and scanner whole units (M577 only) on page 3009

Table 2-14 Alphabetical parts list (continued)

Description	Part number	Table and page
Secondary transfer assembly (M552dn, M553dn, M553x, M577)	RM2-0022-000CN	Internal components (3 of 5) on page 3019
Secondary transfer assembly (M553n)	RM2-0090-000CN	Internal components (3 of 5) on page 3019
Stapler (M577c/f/z)	B5L46-60102	Document feeder and scanner whole units (M577 only) on page 3009
Switch button (SW21; 550-sheet feeder)	WC2-5806-000CN	550-sheet paper feeder covers on page 3027
Switch PCA assembly (SW4)	RM2-7133-000CN	Internal components (2 of 5) on page 3017
Toner collection unit	B5L37-67901	Covers (M552, M553) on page 3011
Toner collection unit	B5L37-67901	Covers (M577) on page 3013
Waste toner detect PCA assembly	RM2-7130-000CN	Internal components (1 of 5) on page 3015
Wireless PCA, embedded	1150-7968	Internal components (1 of 5) on page 3015

Numerical parts list

Table 2-15 Numerical parts list

Part number	Description	Table and page
1150-7968	Wireless PCA, embedded	Internal components (1 of 5) on page 3015
5851-5935	Cable, 18-pin control panel (M577)	Document feeder and scanner whole units (M577 only) on page 3009
5851-5936	Cable, HDMI control panel (M577)	Document feeder and scanner whole units (M577 only) on page 3009
5851-5938	Cable, HIP USB control panel (M577)	Document feeder and scanner whole units (M577 only) on page 3009
5851-5939	Cable, WU USB control panel (M577)	Document feeder and scanner whole units (M577 only) on page 3009
5851-6019	Keyboard overlay kit (FR, IT, RU, DE, ES: UK Kybd)	Document feeder and scanner whole units (M577 only) on page 3009
5851-6020	Keyboard overlay kit (FR-CN, ES-LA, ES: US Kybd)	Document feeder and scanner whole units (M577 only) on page 3009
5851-6021	Keyboard overlay kit (FR-SW, DE-SW, DA: UK Kybd)	Document feeder and scanner whole units (M577 only) on page 3009
5851-6022	Keyboard overlay kit (ZHTW, ZHCN)	Document feeder and scanner whole units (M577 only) on page 3009
5851-6023	Keyboard overlay kit (ES, PT)	Document feeder and scanner whole units (M577 only) on page 3009
5851-6024	Keyboard overlay kit (JA-KG, JA-KT)	Document feeder and scanner whole units (M577 only) on page 3009
B5L23-67903	Formatter (M552)	Internal components (4 of 5) on page 3021
B5L23-67904	Formatter (M552 India and China only)	Internal components (4 of 5) on page 3021
B5L24-60001	Near field communication (NFC) PCA, embedded (M577z)	Internal components (1 of 5) on page 3015
B5L24-60002	Near field communication (NFC) PCA, embedded (M553x)	Internal components (1 of 5) on page 3015
B5L24-67901	ITB (part of ITB and secondary transfer roller kit)	Internal components (3 of 5) on page 3019
B5L24-67902	Roller, secondary transfer	Internal components (3 of 5) on page 3019

Table 2-15 Numerical parts list (continued)

Part number	Description	Table and page
B5L24-67903	Control panel (M553x)	Covers (M552, M553) on page 3011
B5L24-67904	Roller, paper pickup (part of Tray 2-5 roller kit)	Internal components (3 of 5) on page 3019
B5L24-67904	Roller, separation (part of Tray 2-5 roller kit)	Internal components (3 of 5) on page 3019
B5L24-67904	Roller, pickup (550-sheet feeder; part of Tray 2-5 roller kit)	550-sheet paper feeder covers on page 3027
B5L24-67904	Roller, separation (550-sheet feeder; part of Tray 2-5 roller kit)	550-sheet paper feeder covers on page 3027
B5L24-67905	Roller, pickup, Tray 1 (part of Tray 1 roller kit)	Covers (M552, M553) on page 3011
B5L24-67905	Roller, separation, Tray 1 (part of Tray 1 roller kit)	Covers (M552, M553) on page 3011
B5L24-67905	Roller, pickup, Tray 1 (part of Tray 1 roller kit)	Covers (M577) on page 3013
B5L24-67905	Roller, separation, Tray 1 (part of Tray 1 roller kit)	Covers (M577) on page 3013
B5L24-67908	Formatter (M553n, M553dn, M553dh India and China only)	Internal components (4 of 5) on page 3021
B5L24-67909	Formatter (M553n, M553dn, M553dh)	Internal components (4 of 5) on page 3021
B5L25-67901	Cover, front (M552, M553)	Covers (M552, M553) on page 3011
B5L25-67902	Main motor drive assembly	Internal components (5 of 5) on page 3023
B5L26-67901	Formatter (M553x)	Internal components (4 of 5) on page 3021
B5L26-67902	Formatter (M553x India and China only)	Internal components (4 of 5) on page 3021
B5L35-67902	Fuser kit (110V)	Internal components (3 of 5) on page 3019
B5L35-67902	Fuser service kit (110V)	Internal components (3 of 5) on page 3019
B5L36-67902	Fuser kit (220V)	Internal components (3 of 5) on page 3019
B5L36-67902	Fuser service kit (220V)	Internal components (3 of 5) on page 3019
B5L37-67901	Toner collection unit	Covers (M552, M553) on page 3011
B5L37-67901	Toner collection unit	Covers (M577) on page 3013
B5L46-40002	Cover, keyboard (M577dn/f)	Document feeder and scanner whole units (M577 only) on page 3009

Table 2-15 Numerical parts list (continued)

Part number	Description	Table and page
B5L46-40011	Cover, rear (image scanner; M577)	Document feeder and scanner whole units (M577 only) on page 3009
B5L46-40020	Bezel, control panel without NFC icon (M577)	Document feeder and scanner whole units (M577 only) on page 3009
B5L46-40021	Cover, HIP (M577)	Document feeder and scanner whole units (M577 only) on page 3009
B5L46-40024	Cover, right front upper (M577dn)	Document feeder and scanner whole units (M577 only) on page 3009
B5L46-40026	Bezel, control panel with NFC icon (M577)	Document feeder and scanner whole units (M577 only) on page 3009
B5L46-40028	Cover, USB (M577)	Document feeder and scanner whole units (M577 only) on page 3009
B5L46-60102	Stapler (M577c/f/z)	Document feeder and scanner whole units (M577 only) on page 3009
B5L46-60114	Cable, HDMI PAB to SCAM (M577)	Document feeder and scanner whole units (M577 only) on page 3009
B5L46-60121	Cover assembly, stapler (M577c/f/z)	Document feeder and scanner whole units (M577 only) on page 3009
B5L46-60121	Cable, stapler (M577)	Document feeder and scanner whole units (M577 only) on page 3009
B5L46-67904	Image scanner (M577) kit; includes white backing and retention clips	Document feeder and scanner whole units (M577 only) on page 3009
B5L46-67906	Cover, front (M577)	Covers (M577) on page 3013
B5L46-67909	Formatter (M577)	Internal components (4 of 5) on page 3021
B5L46-67911	Formatter (M577 India and China only)	Internal components (4 of 5) on page 3021
B5L47-67018	Control panel (M577) kit	Document feeder and scanner whole units (M577 only) on page 3009
B5L47-67019	Keyboard US (M577c/z)	Document feeder and scanner whole units (M577 only) on page 3009
B5L47-67020	Keyboard UK (M577c/z)	Document feeder and scanner whole units (M577 only) on page 3009

Table 2-15 Numerical parts list (continued)

Part number	Description	Table and page
B5L47-67901	Document feeder (M577dn/f) kit; includes white backing and retention clips	Document feeder and scanner whole units (M577 only) on page 3009
B5L47-67902	Document feeder (M577c/z) kit; includes white backing and retention clips	Document feeder and scanner whole units (M577 only) on page 3009
B5L47-67903	Scan control board	Document feeder and scanner whole units (M577 only) on page 3009
B5L53-67901	Fax PCA (M577f, M577z)	Internal components (4 of 5) on page 3021
COM39-60064	Hinge, left document feeder (M577)	Document feeder and scanner whole units (M577 only) on page 3009
COM39-60065	Hinge, right document feeder (M577)	Document feeder and scanner whole units (M577 only) on page 3009
RC4-0132-000CN	Hinge, cover, front	Internal components (2 of 5) on page 3017
RC4-0152-000CN	Formatter case	Internal components (4 of 5) on page 3021
RC4-0159-000CN	Hinge, cover, front	Internal components (2 of 5) on page 3017
RC4-0178-000CN	Cover, right rear	Covers (M552, M553) on page 3011
RC4-0178-000CN	Cover, right rear	Covers (M577) on page 3013
RC4-0179-000CN	Cover, left	Covers (M552, M553) on page 3011
RC4-0179-000CN	Cover, left	Covers (M577) on page 3013
RC4-0183-000CN	Handle, right	Covers (M552, M553) on page 3011
RC4-0183-000CN	Handle, right	Covers (M577) on page 3013
RC4-0213-000CN	Cover, HIP (M552dn, M553dn, M553x)	Covers (M552, M553) on page 3011
RC4-0214-000CN	Cover, USB	Covers (M552, M553) on page 3011
RC4-0445-000CN	Holder, OP Drawer	Internal components (5 of 5) on page 3023
RC4-0445-000CN	Holder, OP drawer (550-sheet feeder)	550-sheet paper feeder covers on page 3027
RC4-0830-000CN	Arm, solenoid	Internal components (3 of 5) on page 3019
RC4-1741-000CN	Holder, drawer connector (550-sheet feeder)	550-sheet paper feeder covers on page 3027

Table 2-15 Numerical parts list (continued)

Part number	Description	Table and page
RC4-1778-000CN	Link, door, right (550-sheet feeder)	550-sheet paper feeder covers on page 3025
RC4-1781-000CN	Hinge, door, right (550-sheet feeder)	550-sheet paper feeder covers on page 3025
RC4-1791-000CN	Cover, left (550-sheet feeder)	550-sheet paper feeder covers on page 3025
RC4-1792-000CN	Cover, rear (550-sheet feeder)	550-sheet paper feeder covers on page 3025
RC4-1793-000CN	Cover, right lower (550-sheet feeder)	550-sheet paper feeder covers on page 3025
RC4-3382-000CN	Cover, paper feed (M577)	Covers (M577) on page 3013
RC4-3383-000CN	Cover, top rear (M577)	Covers (M577) on page 3013
RK2-2416-000CN	Fan, power-supply (FM1)	Internal components (4 of 5) on page 3021
RK2-2418-000CN	Fan, fuser (FM4)	Internal components (1 of 5) on page 3015
RK2-2728-000CN	Fan, delivery (FM3)	Internal components (4 of 5) on page 3021
RK2-6027-000CN	Motor, stepping (M6)	Internal components (5 of 5) on page 3023
RK2-6101-000CN	Cable, flexible flat	Internal components (4 of 5) on page 3021
RK2-6103-000CN	Cable, flexible flat	Internal components (4 of 5) on page 3021
RK2-6111-000CN	Cable, flexible flat	Internal components (4 of 5) on page 3021
RK2-6124-000CN	Fan, cartridge (FM2)	Internal components (1 of 5) on page 3015
RL2-0013-010CN	Inner door	Internal components (1 of 5) on page 3015
RL2-0096-000CN	Cover, upper (M553n)	Covers (M552, M553) on page 3011
RL2-0097-000CN	Cover, upper (M553x)	Covers (M552, M553) on page 3011
RL2-0098-000CN	Cover, upper (M552dn, M553dn)	Covers (M552, M553) on page 3011
RL2-0769-000CN	Cover, top (M577)	Covers (M577) on page 3013
RL2-0770-000CN	Cover, left upper (M577)	Covers (M577) on page 3013
RL2-0771-000CN	Cover, rear upper (M577)	Covers (M577) on page 3013
RL2-0772-000CN	Cover, right upper (M577)	Covers (M577) on page 3013
RM2-0006-000CN	Duplexing drive assembly (M7, CL2; M552dn, M553dn, M553x)	Internal components (5 of 5) on page 3023

Table 2-15 Numerical parts list (continued)

Part number	Description	Table and page
RM2-0007-000CN	Cassette (Tray 2)	Internal components (3 of 5) on page 3019
RM2-0008-000CN	Paper pickup drive assembly (M5)	Internal components (5 of 5) on page 3023
RM2-0009-000CN	Fuser drive assembly (M552dn, M553dn, M553x, M577)	Internal components (5 of 5) on page 3023
RM2-0010-000CN	Lifter drive assembly (CL1)	Internal components (5 of 5) on page 3023
RM2-0016-000CN	Paper delivery assembly (M552dn, M553dn, M553x, M577)	Internal components (3 of 5) on page 3019
RM2-0017-000CN	Paper pickup assembly	Internal components (3 of 5) on page 3019
RM2-0018-000CN	Registration assembly (M552dn, M553dn, M553x, M577)	Internal components (3 of 5) on page 3019
RM2-0019-000CN	Door assembly, right	Covers (M552, M553) on page 3011
RM2-0019-000CN	Right door assembly	Covers (M577) on page 3013
RM2-0022-000CN	Secondary transfer assembly (M552dn, M553dn, M553x, M577)	Internal components (3 of 5) on page 3019
RM2-0044-000CN	Output bin	Covers (M552, M553) on page 3011
RM2-0044-000CN	Output bin	Covers (M577) on page 3013
RM2-0077-000CN	Motor assembly, fuser (M4)	Internal components (5 of 5) on page 3023
RM2-0078-000CN	Motor assembly, drum (M1, M2, M3)	Internal components (5 of 5) on page 3023
RM2-0084-000CN	Cover, formatter	Covers (M552, M553) on page 3011
RM2-0084-000CN	Cover, formatter	Covers (M577) on page 3013
RM2-0085-000CN	Cover, rear	Covers (M552, M553) on page 3011
RM2-0085-000CN	Cover, rear	Covers (M577) on page 3013
RM2-0086-000CN	Glass cleaner assembly, dust-proof	Internal components (1 of 5) on page 3015
RM2-0090-000CN	Secondary transfer assembly (M553n)	Internal components (3 of 5) on page 3019
RM2-0091-000CN	Fuser drive assembly (M553n)	Internal components (5 of 5) on page 3023
RM2-0092-000CN	Paper delivery assembly (M553n)	Internal components (3 of 5) on page 3019
RM2-0093-000CN	Registration assembly (M553n)	Internal components (3 of 5) on page 3019

Table 2-15 Numerical parts list (continued)

Part number	Description	Table and page
RM2-5145-000CN	Paper feed assembly (550-sheet feeder)	550-sheet paper feeder covers on page 3027
RM2-5146-000CN	Door assembly, right (550-sheet feeder)	550-sheet paper feeder covers on page 3025
RM2-5147-000CN	Auto close assembly	Internal components (5 of 5) on page 3023
RM2-5147-000CN	Auto close assembly (550-sheet feeder)	550-sheet paper feeder covers on page 3027
RM2-5148-000CN	Feed drive assembly (550-sheet feeder)	550-sheet paper feeder covers on page 3027
RM2-5149-000CN	Lifter drive assembly (550-sheet feeder)	550-sheet paper feeder covers on page 3027
RM2-5150-000CN	Cassette (tray; 550-sheet feeder)	550-sheet paper feeder covers on page 3027
RM2-5154-000CN	Paper pickup assembly (550-sheet feeder)	550-sheet paper feeder covers on page 3027
RM2-6545-000CN	Laser/scanner assembly	Internal components (2 of 5) on page 3017
RM2-7122-000CN	HVPS (D) PCA assembly	Internal components (4 of 5) on page 3021
RM2-7123-000CN	HVPS (T) PCA assembly (M552dn, M553dn, M553x, M577)	Internal components (4 of 5) on page 3021
RM2-7125-000CN	Fuser power supply PCA assembly	Internal components (4 of 5) on page 3021
RM2-7130-000CN	Waste toner detect PCA assembly	Internal components (1 of 5) on page 3015
RM2-7133-000CN	Switch PCA assembly (SW4)	Internal components (2 of 5) on page 3017
RM2-7134-000CN	HVPS (T) PCA assembly (M553n)	Internal components (4 of 5) on page 3021
RM2-7138-000CN	Memory PCA assembly	Internal components (4 of 5) on page 3021
RM2-7139-000CN	Paper feed drive PCA assembly (550-sheet feeder)	550-sheet paper feeder covers on page 3027
RM2-7154-000CN	Environmental sensor PCA assembly	Internal components (4 of 5) on page 3021
RM2-7156-000CN	Connecting PCA assembly	Internal components (1 of 5) on page 3015
RM2-7157-000CN	Estrangement detect PCA assembly (SR5)	Internal components (5 of 5) on page 3023
RM2-7160-000CN	Density detect assembly	Internal components (3 of 5) on page 3019

Table 2-15 Numerical parts list (continued)

Part number	Description	Table and page
RM2-7164-000CN	LVPS PCA assembly	Internal components (4 of 5) on page 3021
RM2-7168-000CN	Pre-exposure PCA assembly	Internal components (2 of 5) on page 3017
RM2-7169-000CN	Pre-exposure PCA assembly	Internal components (2 of 5) on page 3017
RM2-7180-000CN	Control panel (M552dn, M553n, M553dn)	Covers (M552, M553) on page 3011
RM2-7186-000CN	DC controller PCA assembly (M552, M553))	Internal components (4 of 5) on page 3021
RM2-7187-000CN	DC controller PCA assembly (M577)	Internal components (4 of 5) on page 3021
RU8-0577-000CN	Gear 18T	Internal components (5 of 5) on page 3023
VS1-7258-000CN	Connector, drawer	Internal components (5 of 5) on page 3023
WC2-5806-000CN	Switch button (SW21; 550-sheet feeder)	550-sheet paper feeder covers on page 3027

